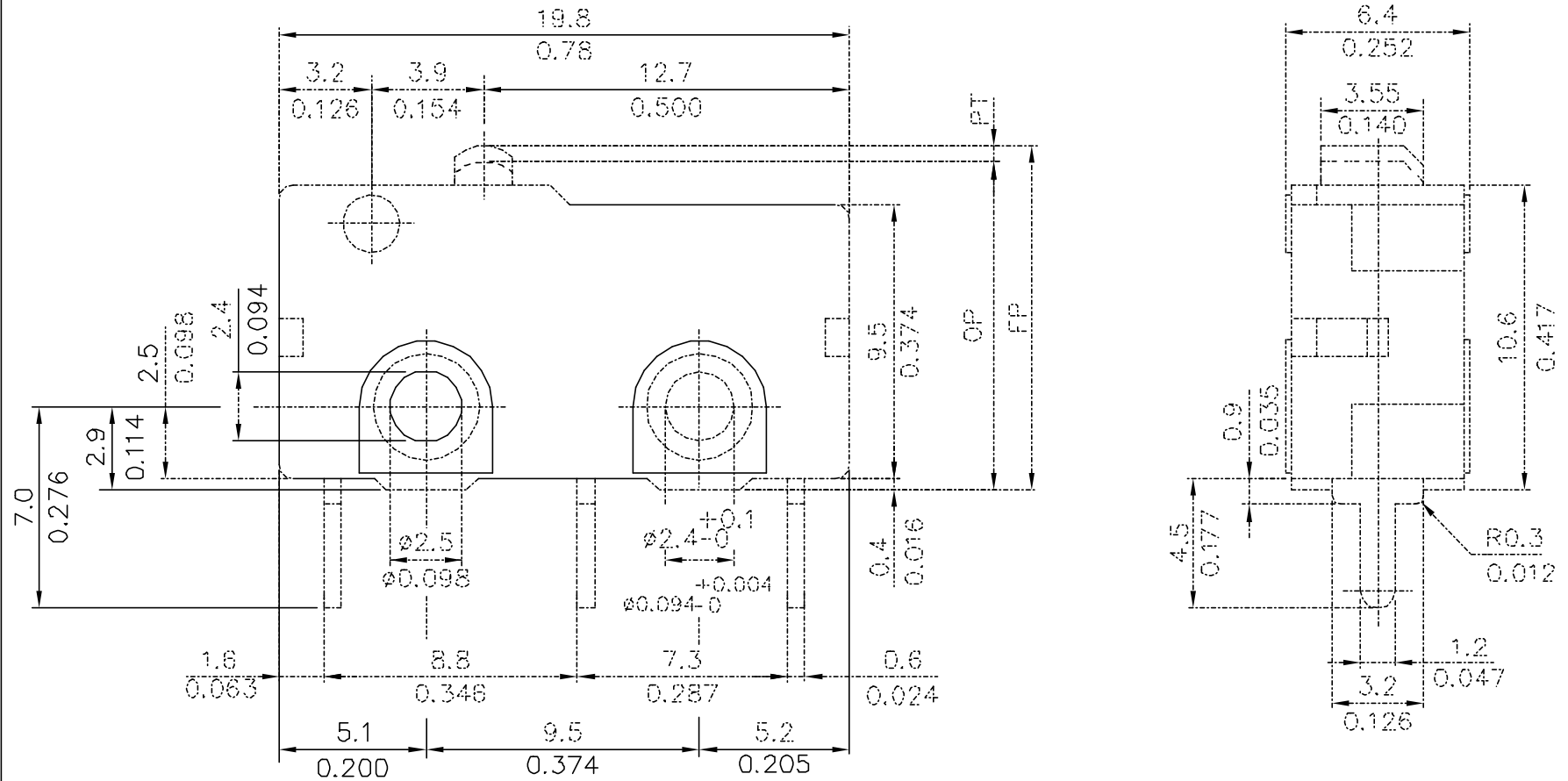


# ZM50E20A01



Tolerance  $\pm 0.4$  mm  
 $\pm 0.016$  inch

	JUN 19,2002			ADD INCH UNITS						
REV	DATE	APPROVAL	DESIGN	ENGINEERING CHANGE DESCRIPTION	VIEW		SIZE	A4	UNIT	mm / inch
					DATE	JUN 19,2002	VER.	2	FILE NAME	
					APPROVAL		CONFIRM		DESIGN	