



# Carbon Rotary Potentiometers - 20 mm size

Ganged-stereo

Types  
**CIJP20C**  
**JP20C**

### Mechanical data

Rotation angle:  $300^\circ \pm 5^\circ$   
 Operating torque:  $0.5 \div 1.8$  Ncm  
 Permissible torque at end stop: 80 Ncm max  
 Permissible axial spindle load: 100 N  
 (5 sec max)  
 Tap: Z2 at 50% or 57% of rotazion  
 Weight, std. spindle: ~ 13 g

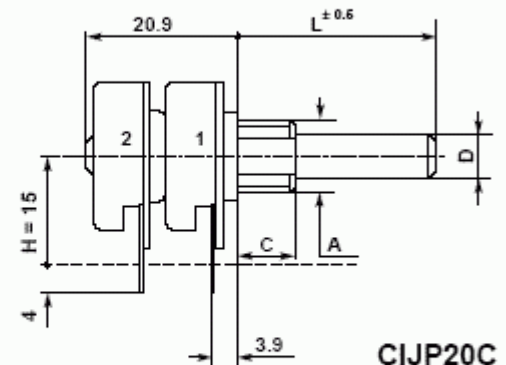
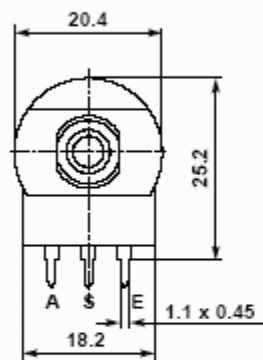
### Electrical data

Rated dissipation @ 40°C:  
 2 x 0.4 W linear law  
 2 x 0.2 W non-linear law  
 Limiting element voltage: 500 VDC  
 Insulation resistance:  $\geq 5$  GΩ  
 Insulation voltage: 1000 VAC  
 Rated resistance: E3 Series; optional E6 Series  
 • linear law: 100R to 4M7  
 • non-linear law: 1K0 to 2M2  
 Tolerance on rated resistance:  
 • 100R to 1M0:  $\pm 20\%$   
 • over 1M0:  $\pm 30\%$   
 • optional (1K0 to 1M0):  $\pm 10\%$   
 Resistance law: A, B, C, F, S, T, X  
 • with tap: A2, B2, S2  
 Matching tolerance Class II



### Types

<b>CIJP20C</b>	P.c. terminations
<b>JP20C</b>	Solder tag terminations



**CIJP20C**

H = 22 optional

viewed on component side

### Standard spindle & bush

L = 50 mm, plastic, F1 type  
 D = 6 mm  
 A = M10x0.75, plastic, KC type  
 C = 8 mm

